



TEREX® | FINLAY

863

TRACKED MOBILE HEAVY DUTY SCREEN



WORKS FOR YOU.™

863

The Terex Finlay 863 mobile tracked heavy duty screen is a compact and aggressive forward facing screen. This flexible and mobile plant can work in aggregates, sand and gravel, top soil, construction demolition and recycling applications where site space is at a premium. The fully self-contained plant can be hydraulically folded and ready for transport in less than an hour making it the ideal machine for contract screening. The plant has the capacity to process at a rate of up to 280 tonnes per hour and can be fed either by a tracked mobile crusher or an excavator.

Features:

- ▶ Aggressive screen box can accept bofor bars, screenharps, woven mesh, punch plate and cascade fingers.
- ▶ Screen box angle can be hydraulically adjusted to an angle between 14° to 18°.
- ▶ Screen box discharge end can be hydraulically raised 500mm to facilitate efficient and easy media access and changing.
- ▶ Oversize conveyor angle can be hydraulically adjusted from 15° to 24°.

Hopper / Feeder

- ▶ Hopper capacity: 5m³ (6.54 yd³)
- ▶ Plain belt: 1000mm (40") 4 ply
- ▶ Apron feeder (Optional)

Powerunit

- ▶ Deutz TD 2011 air cooled
- ▶ 49 kW (66hp) @ 2300rpm

Fines grade conveyor

- ▶ Standard discharge height: 3840mm (12' 6")
- ▶ Chevron belt: 650mm (26") 3 ply

STANDARD FEATURES

Deutz TD2011 L04i - 4 cylinder diesel engine developing 49.4kW (66.2hp) @ 2300 RPM

Hopper capacity: 5m³ (6.54yd³) with hydraulically folding extensions

Belt feeder with 1000mm plain belt (39") and hydraulic gearbox drive

6mm high tensile steel plate hopper

Modular configuration screen box

Hydraulic raise for mesh changing 500mm (20")

2.7m x 1.2m (9' x 4') top deck screen and 2.7m x 1.2m (9' x 4') bottom deck screen, with variable angle adjust 14° to 18°

No mesh included for any deck (but all mesh fitting parts included as standard)

1000mm (39") wide O/S conveyor with chevron belt (3.5m discharge height) Hydraulic folding and angle adjustment 14° to 24°

Skirting on oversize conveyor

650mm (26") wide chevron belt on middlegrade conveyor with variable speed. Discharge height 3.67m

650mm (26") wide plain belt on fines conveyor with variable speed and belt scraper. Discharge height 3.85m

1000mm (39") wide fines transfer/collection conveyor

Heavy duty undercarriage unit with 400mm (16") wide pads - 2500mm (8' 2") sprocket centres

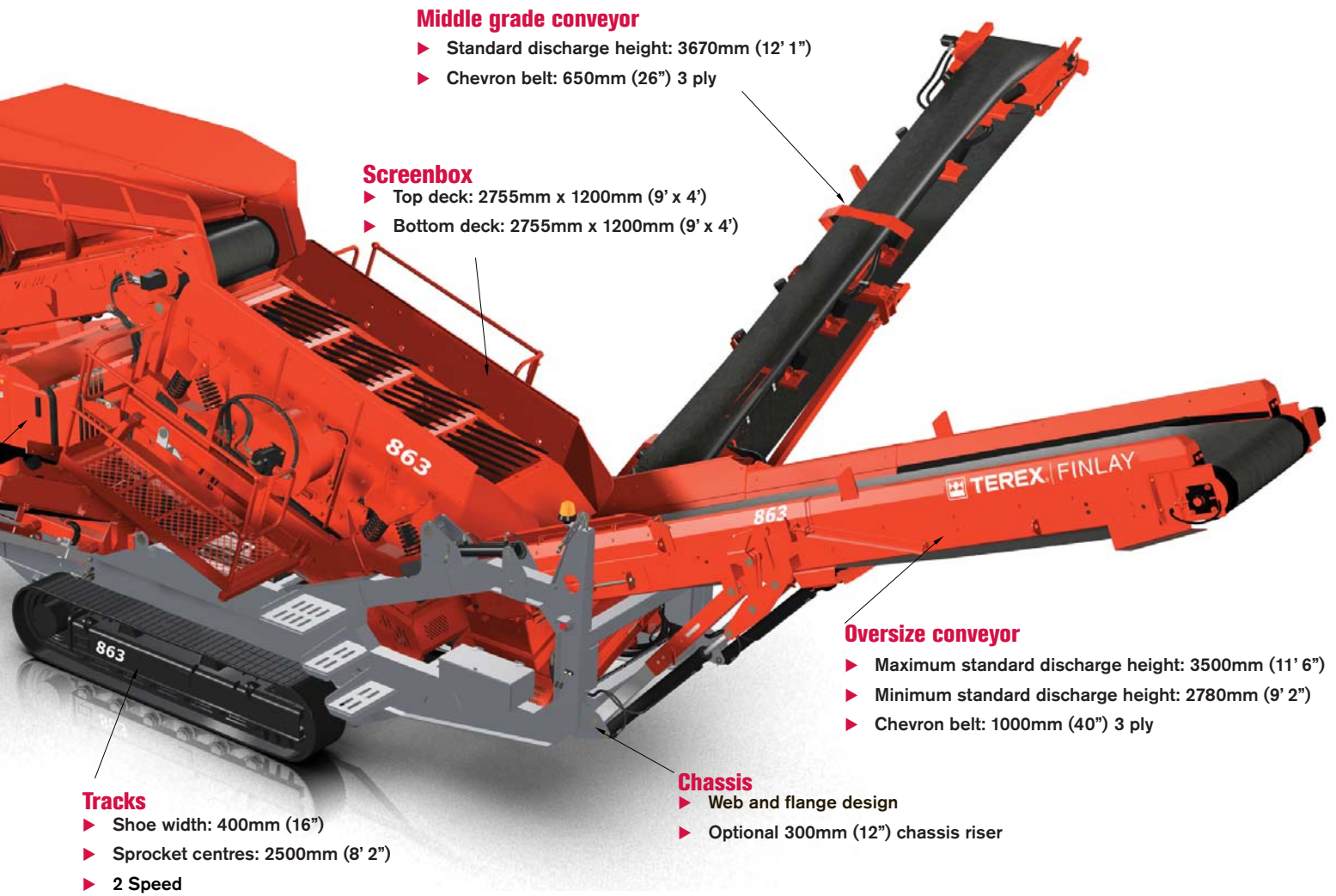
Control operation of tracks via hand held-set with 5m connection lead

Safety guards in compliance with machinery directive

Low level greasing

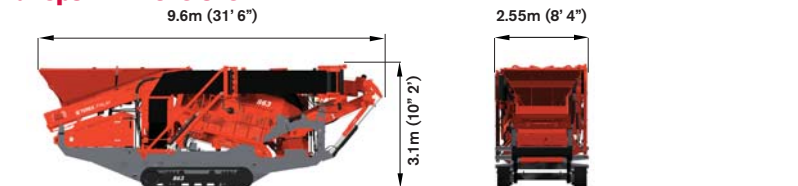
Emergency Stops (4 nr)



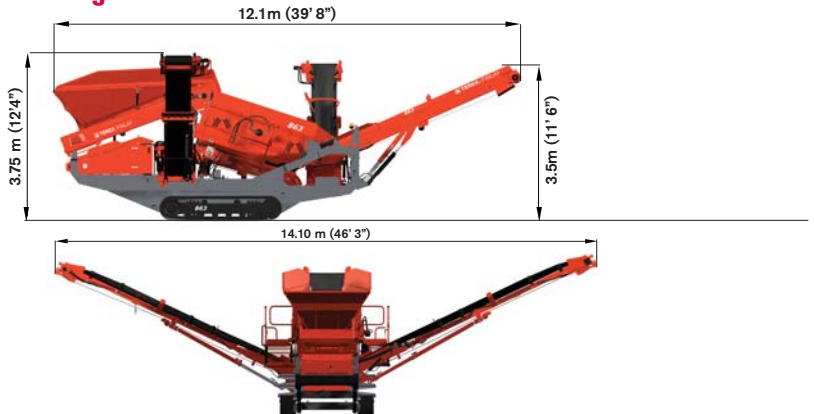


Machine Weight: 18,000Kg (39,683lbs)

Transport Dimensions



Working Dimensions



Maximum Plant Capacity:

Tph**	Stph**
280	309

**Material is based on pit run san/gravel with bulk density 1.6T/m³. Screening capacity depends on mesh sizes and relates to dry screening in optimal material conditions.

WORKS FOR YOU.™

Follow us on:



www.terexfinlay.com

Effective January 2012. Product specifications and prices are subject to change without notice or obligation. The photographs and/or drawings in this document are for illustrative purposes only. Refer to the appropriate Operator's Manual for instructions on the proper use of this equipment. Failure to follow the appropriate Operator's Manual when using our equipment or to otherwise act irresponsibly may result in serious injury or death. The only warranty applicable to our equipment is the standard written warranty applicable to the particular product and sale and Terex GB Ltd. makes no other warranty, express or implied. Products and services listed may be trademarks, service marks or trade-names of Terex Corporation and/or its subsidiaries in the USA and other countries. All rights are reserved. Terex® is a registered trademark of Terex Corporation in the USA and many other countries. Copyright 2010 Terex GB Ltd.



WORKS FOR YOU.™