



**1275**

**BASE CRUSHER**

**HEAVY DUTY SHAFT & PREMIUM BEARINGS**

---

**BOLTED MAINFRAME CONSTRUCTION**

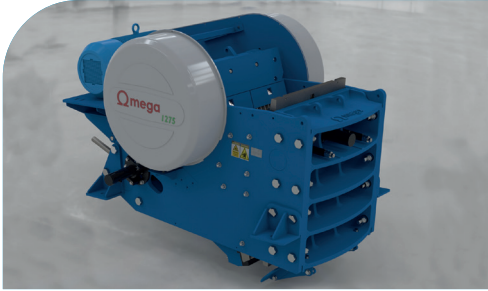
---

**HIGH CAPACITY**

---

**OPERATOR FRIENDLY**





# Omega 1275

## Crusher

Type	Single toggle
Opening size	47" x 29" / 1200 mm x 750 mm
Max feed	25.6 inch <sup>3</sup> / 650 mm <sup>3</sup>
CSS Range	2" - 6" / 50 - 160 mm
Power	110 kW
Adjustment type	Hydraulic wedge
Speed	280 rpm

## Weight

18,000 kg's

\* Details may change on final Specification

Heavy duty shaft installed with premium bearings

Large 1200 mm x 750mm feed opening

Large Jaw ejector cylinder

110 kW motor electric drive via v-belt

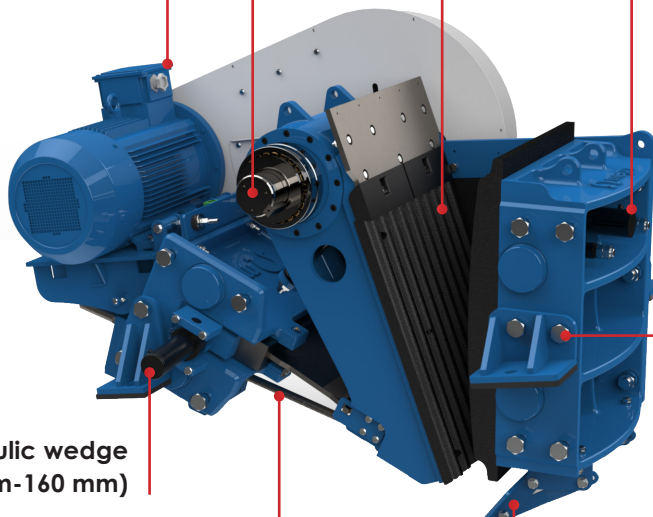
Multiple Jaw die options

Hydraulic wedge for CSS adjust (50 mm-160 mm)

Draw-back system for simplicity

Bolted mainframe for strength and durability

Optional deflector plate for recycling applications



## Contact us:

Unit 10a, Enterprise Park, Drumquin Rd, Castlederg, Co. Tyrone, N. Ireland, BT81 7PX

T. +44 28 8167 8571 E. info@omegacrusher.com